



US0D1004116S

(12) **United States Design Patent**
Justin

(10) **Patent No.:** **US D1,004,116 S**

(45) **Date of Patent:** **** Nov. 7, 2023**

(54) **ERECTILE DEVICE**

(71) Applicant: **FirmTech, Inc.**, Bozeman, MT (US)

(72) Inventor: **Elliot Justin**, Bozeman, MT (US)

(73) Assignee: **FirmTech, Inc.**, Bozeman, MT (US)

(**) Term: **15 Years**

(21) Appl. No.: **29/805,107**

(22) Filed: **Aug. 25, 2021**

(51) **LOC (14) Cl.** **24-01**

(52) **U.S. Cl.**
USPC **D24/215**

(58) **Field of Classification Search**
USPC D24/133, 141, 188, 200, 211, 212, 213,
D24/214, 215

(Continued)

(56) **References Cited**

U.S. PATENT DOCUMENTS

6,162,188 A 12/2000 Barnea
D523,958 S * 6/2006 Fang D24/105
(Continued)

OTHER PUBLICATIONS

Myfirmtech, "Firmtech Performance Ring", Access Date: May 5, 2023. <https://myfirmtech.com/collections/firmtech/products/firmtech-performance-ring> (Year: 2023).*

(Continued)

Primary Examiner — Michael A Maharajh

(74) *Attorney, Agent, or Firm* — Wissing Miller LLP

(57) **CLAIM**

The ornamental design for an erectile device, as shown and described.

DESCRIPTION

FIG. 1 is a rear view of an erectile device in accordance with the present invention;

FIG. 2 is a front view of an erectile device in accordance with the present invention;

FIG. 3 is a right side view of an erectile device in accordance with the present invention;

FIG. 4 is a left side view of an erectile device in accordance with the present invention;

FIG. 5 is a bottom view of an erectile device in accordance with the present invention;

FIG. 6 is a top view of an erectile device in accordance with the present invention;

FIG. 7 is a perspective view of an erectile device being worn by a person in accordance with the present invention;

FIG. 8 is a rear view of an erectile device in an unhooked configuration in accordance with the present invention;

FIG. 9 is a right side view of an erectile device in an unhooked configuration in accordance with the present invention;

FIG. 10 is a front view of an erectile device in an unhooked configuration in accordance with the present invention;

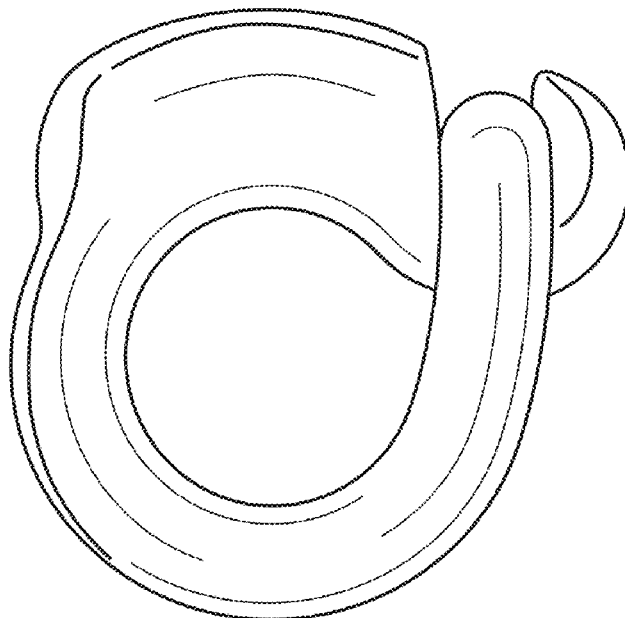
FIG. 11 is a left side view of an erectile device in an unhooked configuration in accordance with the present invention;

FIG. 12 is a top view of an erectile device in an unhooked configuration in accordance with the present invention; and,

FIG. 13 is a bottom view of an erectile device in an unhooked configuration in accordance with the present invention.

Portions of FIG. 7 shown in broken lines are for the purpose of illustrating the environment in which the article embodying the design is used and form no part of the claimed design.

1 Claim, 7 Drawing Sheets



(58) **Field of Classification Search**

CPC A61F 2005/414; A61F 5/41; A61H 19/50;
A61H 2201/165; A61H 2201/1652; A61H
2205/087

See application file for complete search history.

(56) **References Cited**

U.S. PATENT DOCUMENTS

7,678,042 B2 3/2010 Jackson
D648,861 S * 11/2011 Chong D24/215
D652,942 S * 1/2012 Murison D24/215
D694,897 S * 12/2013 Small D24/215
D700,347 S * 2/2014 Sedic D24/215
D703,319 S * 4/2014 Ziegner D24/141
D704,346 S * 5/2014 Tai D24/215
D705,940 S * 5/2014 Tai D24/215
D706,436 S * 6/2014 Hahr D24/215
D706,437 S * 6/2014 Hahr D24/215
D706,438 S * 6/2014 Hahr D24/215
D706,439 S * 6/2014 Hahr D24/215
D707,840 S * 6/2014 Levine D24/215
D707,841 S * 6/2014 Levine D24/215
D725,283 S * 3/2015 Sedic D24/215
D728,119 S * 4/2015 Sedic D24/215
D742,535 S * 11/2015 Wu D24/215
9,247,904 B2 2/2016 Hotaling
D773,066 S * 11/2016 Sedic D24/215

D824,037 S * 7/2018 Yueh D24/215
10,052,256 B2 * 8/2018 Wang A61H 23/02
D828,572 S * 9/2018 Lieberman A61H 23/02
D24/215
D834,714 S * 11/2018 Cao D24/143
D861,910 S * 10/2019 Wang D24/215
10,483,784 B2 11/2019 Konik et al.
D884,916 S * 5/2020 Dumler D24/215
D893,739 S * 8/2020 Li D24/215
D927,011 S * 8/2021 Jouffret D24/215
D938,058 S * 12/2021 Dumler D24/215
D938,059 S * 12/2021 Dumler D24/215
D940,344 S * 1/2022 Dumler D24/215
D942,637 S * 2/2022 Dumler D24/215
D942,638 S * 2/2022 Liu D24/215
D949,402 S * 4/2022 Preobrazhenskaia D24/215
D950,761 S * 5/2022 Dumler D24/215
D950,762 S * 5/2022 Anderton D24/215
D950,763 S * 5/2022 Anderton D24/215
2009/0318755 A1 12/2009 Adams et al.
2023/0065494 A1 * 3/2023 Justin A61F 5/41

OTHER PUBLICATIONS

Youtube, "Designing & Innovating the Future Of Sex Tech",
Published Date: Jun. 27, 2022. <https://www.youtube.com/watch?v=104keAJExtc> (Year: 2022).*

* cited by examiner

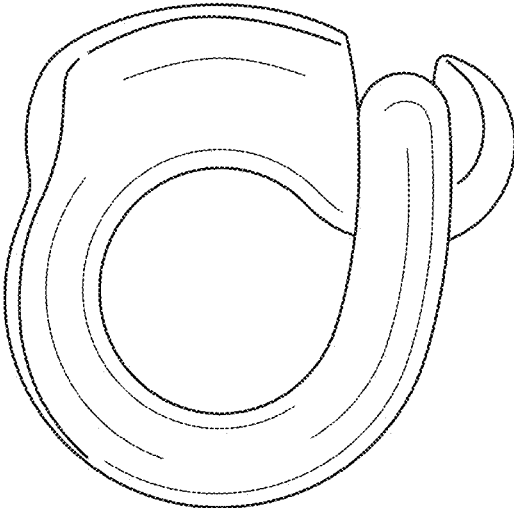


Fig. 1

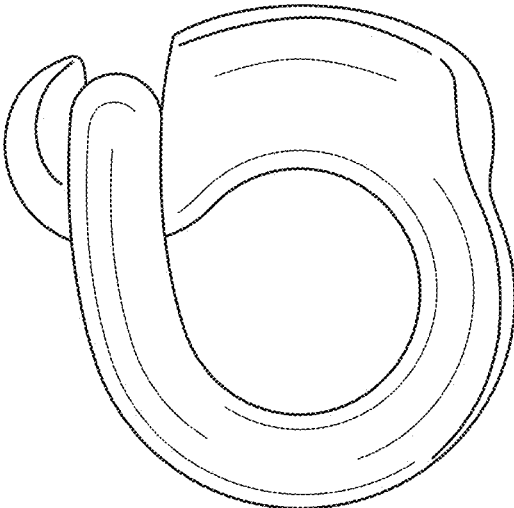


Fig. 2

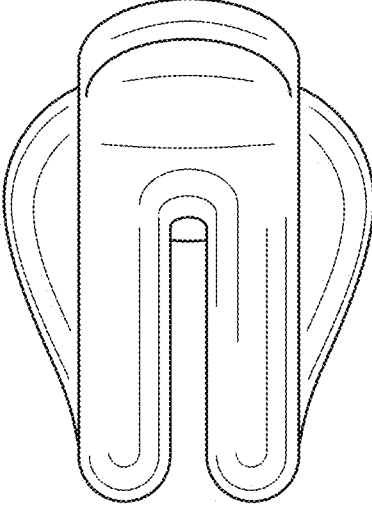


Fig. 3

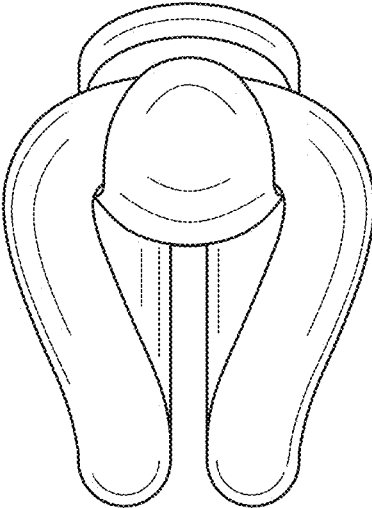


Fig. 4

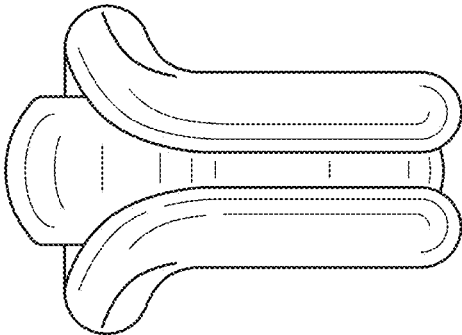


Fig. 5

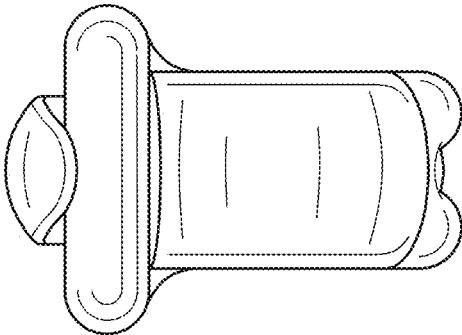


Fig. 6

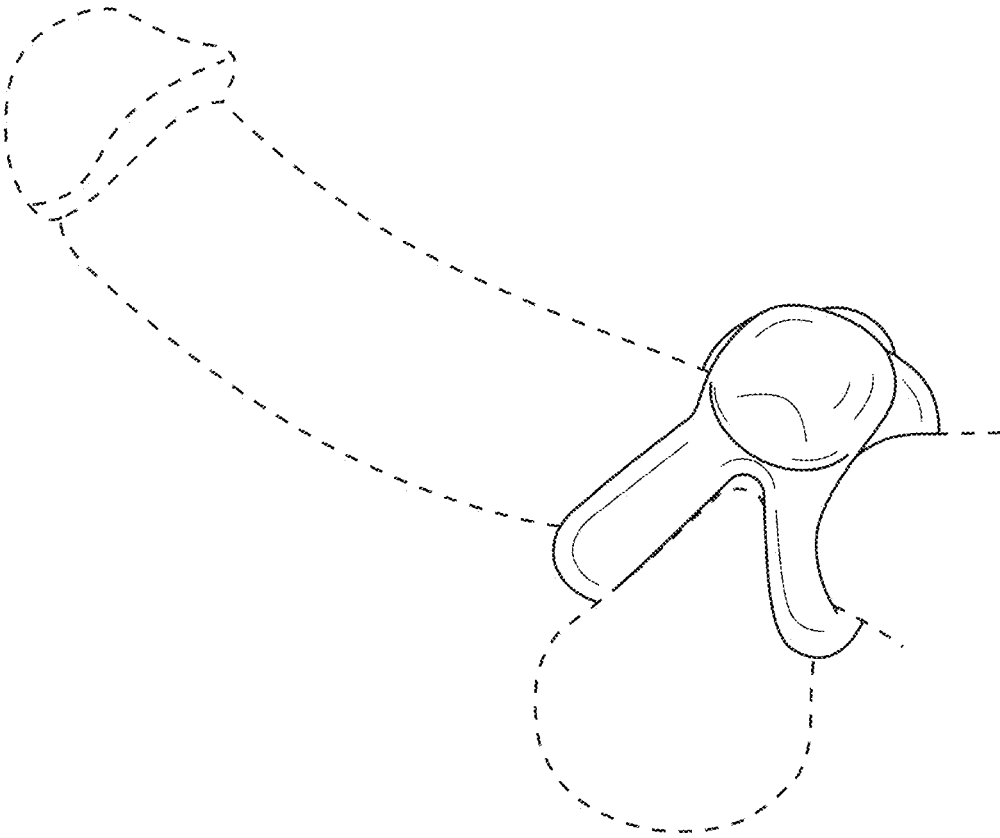


Fig. 7

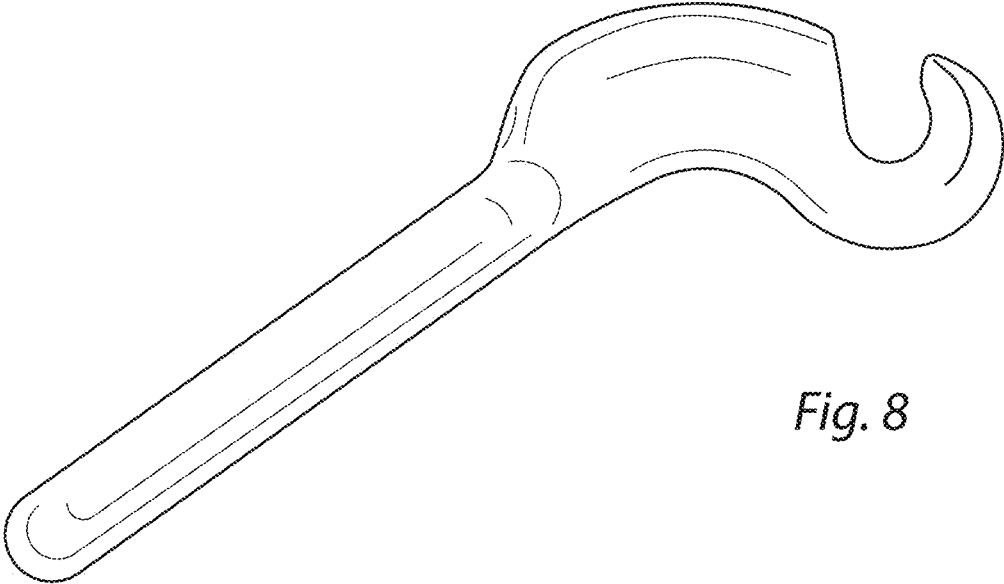


Fig. 8

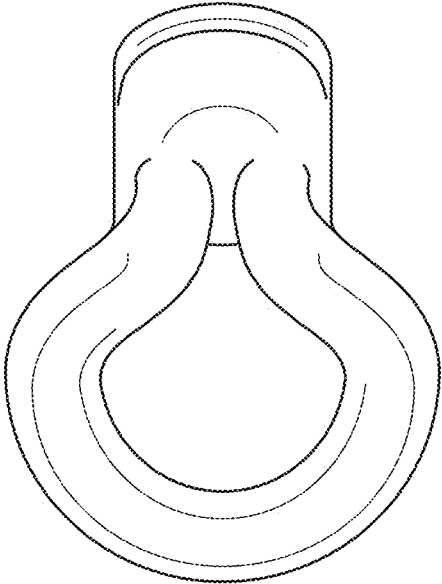


Fig. 9

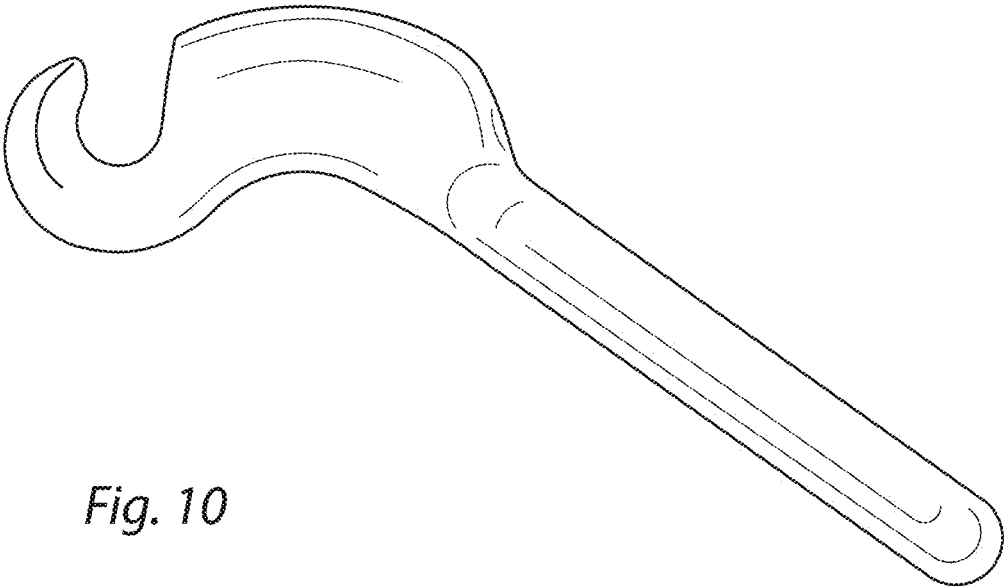


Fig. 10

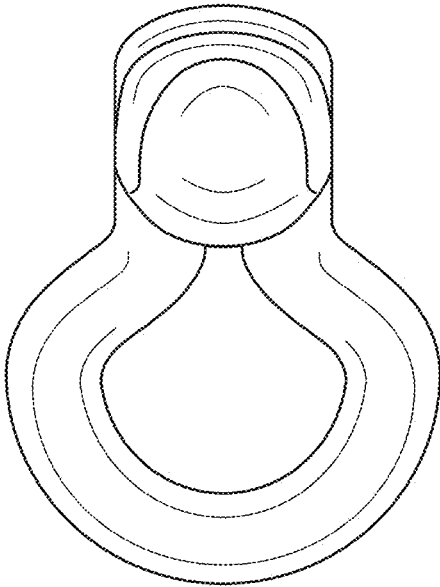


Fig. 11

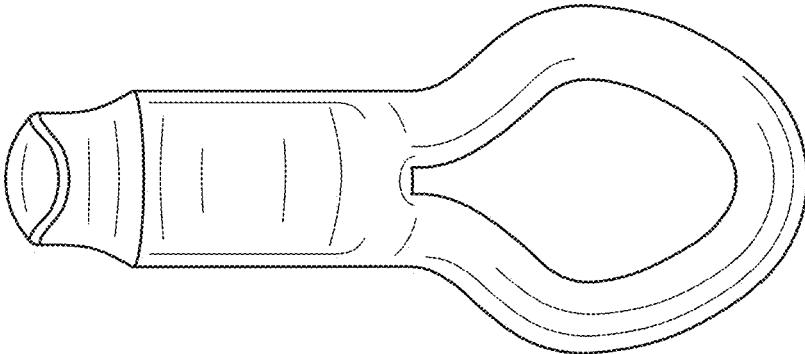


Fig. 12

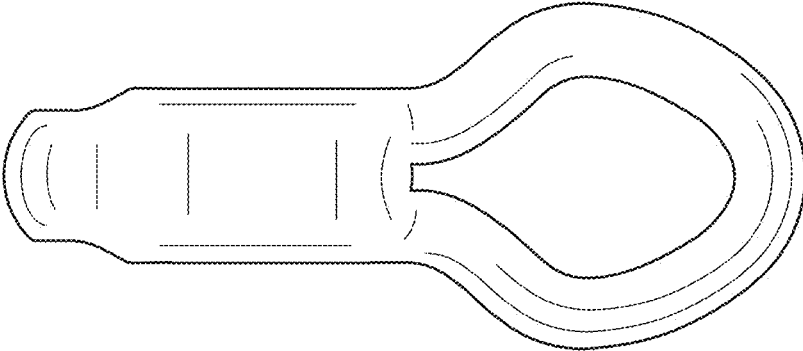


Fig. 13